

## Residential Atmospheric Vent High Performance Energy Saver Gas Water Heater



**The Atmospheric Vent High Performance Model features:**

- **High Input Combustion System**—Generates enough hot water in the first hour for hot tubs, garden tubs and body sprays in addition to whole house duty.
- **High Recovery and First Hour Delivery**—When tested to the industry standard residential first hour delivery procedure, the GX1-55S will deliver 200 gallons.
- **Helical Fin Flue**—Designed to maximize the amount of heat transferred to water decreasing recovery time. Minimizes air movement in the heater during standby periods to retard heat loss up the flue.
- **Factory Installed Hydrojet 2™ Total Performance System**—Cold water inlet sediment reducing device helps prevent sediment build up in tank. Increases first hour delivery of hot water while minimizing temperature build up in tank.
- **Vitraglas® Lining**—Bradford White tanks are lined with an exclusively engineered enamel formula that provides superior tank protection from the highly corrosive effects of hot water. This formula (Vitraglas®) is fused to the steel surface by firing at a temperature of over 1600°F (871°C).
- **Fully Automatic Controls**—Automatic temperature selection at your fingertips. Built-in energy cut-off switch prevents abnormally high water temperature for extra safety. Built-in gas pressure regulation.
- **3/4" NPT Side Connections.**
- **Non-CFC Foam Insulation**—Energy saving insulation covers the sides and top of the tank, reducing the amount of heat loss while increasing jacket rigidity. GX1-55S has 1" of insulation.
- **Water Connections**—3/4" NPT factory installed true dielectric fittings extend water heater life and eases installation.
- **Two Protective Magnesium Anode Rods**—Provide added protection against corrosion for long trouble-free service.
- **4" "Snap Lock" Draft Diverter.**
- **T&P Relief Valve**—Installed.
- **Low Restriction Brass Drain Valve**—Durable tamper proof design.
- **Thermostatic Mixing Valve (ASSE Approved)**—Included.

**AUDI  
ATRI**



**6-Year Limited Tank Warranties / 6-Year Limited Warranty on Component Parts.**

For more information on warranty, please visit [www.bradfordwhite.com](http://www.bradfordwhite.com)

For products installed in USA, Canada and Puerto Rico. Some states do not allow limitations on warranties. See complete copy of the warranty included with the heater.

MANUFACTURED UNDER ONE OR MORE OF THE FOLLOWING U.S. PATENTS: 5,682,666; 7,634,976; 5,660,165; 5,954,492; 6,056,542; 6,935,280; 5,372,185; 5,485,879; 5,574,822; 7,971,560; 7,992,526; 6,684,821; 6,442,178; 7,334,419; 7,866,168; 7,270,087; 7,007,748; 5,596,952; 6,142,216; 7,699,026; 5,341,770; 7,337,517; 7,665,211; 7,665,210; 7,063,132; 7,063,133; 7,559,293; 7,900,589; 5,943,984; 8,082,888; 5,988,117; 7,621,238; 7,650,859; 5,761,379; 7,409,925; 5,277,171; 8,146,772; 7,458,341; 2,262,174. OTHER U.S. AND FOREIGN PATENT APPLICATIONS PENDING. CURRENT CANADIAN PATENTS: 2,314,845; 2,504,824; 2,108,186; 2,143,031; 2,409,271; 2,548,958; 2,112,515; 2,476,685; 2,239,007; 2,092,105; 2,107,012. Vitraglas® and Hydrojet® are registered trademarks of Bradford White® Corporation.

# Residential Atmospheric Vent Gas Water Heater

## High Performance Energy Saver Models

NATURAL GAS AND LIQUID PROPANE MODELS

Meet or exceed ASHRAE 90.1b (current standard) C.E.C. Listed  
82% Thermal Efficiency

Model Number	Capacity		Nat. BTU/Hr. Input		Recovery at 90°F Rise*				A	B	C	D	E	F	G	H	J	K	Approx. Shipping Weight
	U.S. Gal.	Imp. Gal.			Nat. U.S. GPH	Nat. Imp. GPH	LP U.S. GPH	LP Imp. GPH	Floor to Flue Conn in.	Jacket Dia. in.	Vent Size in.	Floor to T&P Conn. in.	Floor to Gas Conn. in.	Floor to Space Heating Return in.	Floor to Space Heating Outlet in.	Floor to Heater Top in.	Floor to Water Conn.† in.	Depth in.	
GX-1-55S6BN	55	46	80,000	78,000	86	72	84	70	59 <sup>5</sup> / <sub>8</sub>	22	4	50	14 <sup>13</sup> / <sub>16</sub>	15 <sup>7</sup> / <sub>16</sub>	50	56	60	26 <sup>1</sup> / <sub>4</sub>	200

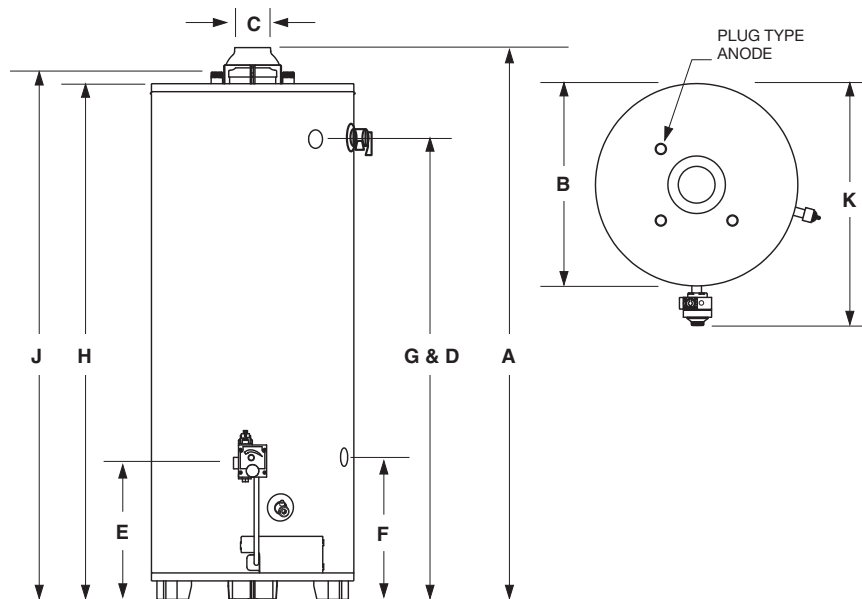
Model Number	Capacity		Nat. kW Input		Recovery at 50°C Rise*				A	B	C	D	E	F	G	H	J	K	Approx. Shipping Weight
	Liters				Nat. Liters/ Hour	LP Liters/ Hour			Floor to Flue Conn mm.	Jacket Dia. mm.	Vent Size mm.	Floor to T&P Conn. mm.	Floor to Gas Conn. mm.	Floor to Space Heating Return mm.	Floor to Space Heating Outlet mm.	Floor to Heater Top mm.	Floor to Water Conn.† mm.	Depth mm.	
GX-1-55S6BN	208		23.5	22.9	326	317			1514	559	102	1270	376	392	1270	1422	1524	667	91

Propane models feature a Titanium Stainless Steel propane burner.

For propane (LP) models, change suffix "BN" to "SX".

\*Based on manufacturers rated recovery efficiency.

†Dimension to top of installed mixing device.



### General

All gas water heaters are certified at 300 PSI test pressure (2068 kPa) and 150 PSI working pressure (1034 kPa). All water connections are 3/4" NPT (19mm) on 8" (203mm) centers. All gas connections are 1/2" (13mm).

All models design certified by CSA International (formerly AGA/CGA), ANSI standard Z-21.10.3 and peak performance rated.

**Dimensions and specifications subject to change without notice in accordance with our policy of continuous product improvement.**

**Suitable for Water (Potable) Heating and Space Heating.**

Toxic chemicals, such as those used for boiler treatment, shall NEVER be introduced into this system. This unit may NEVER be connected to any existing heating system or component(s) previously used with a non-potable water heating appliance.



For U.S. and Canada field service, contact your professional installer or local Bradford White sales representative.

Sales 800-523-2931 • Fax 215-641-1670 / Technical Support 800-334-3393 • Fax 269-795-1089 • Warranty 800-531-2111 • Fax 269-795-1089

International: Telephone 215-641-9400 • Telefax 215-641-9750 / [www.bradfordwhite.com](http://www.bradfordwhite.com)

**BRADFORD WHITE-CANADA** INC. Sales / Technical Support 866-690-0961 / 905-238-0100 • Fax 905-238-0105 / [www.bradfordwhite.com](http://www.bradfordwhite.com)

**Built to be the Best™**

©2014, Bradford White Corporation. All rights reserved.