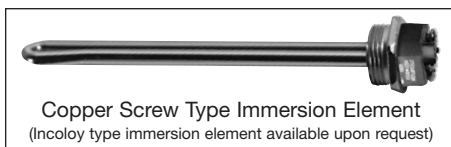


Residential Lowboy Electric Water Heater



Photo is of
RE240L6



Copper Screw Type Immersion Element
(Incoloy type immersion element available upon request)

The Lowboy Electric Models Feature:

- **DOE**—All residential storage models above 20 gallon capacity meet or exceed efficiency requirements of the Department of Energy, ASHRAE Standard 90.1 b (current standard) and the National Appliance Energy Conservation Act of 1987 recent amendment effective April 16, 2015 which supercedes all state and local efficiency requirements.
- **Applications**—Lowboy models are ideal for installations where space is at a premium and are perfect for tight installations such as a closet or under a counter.
- **Fully Automatic Controls**—Fast acting surface-mount thermostats for automatic temperature control. Factory-installed sensitive manual reset energy cut-off for safety to prevent overheating.
- **Direct Heat Transfer with Immersed Elements**—Transfers heat directly and efficiently to the water. Screw-in style.
- **Factory-Installed Hydrojet® Total Performance System**—Cold water inlet sediment reducing device helps prevent sediment build-up in tank. Increases first hour delivery of hot water while minimizing temperature build-up in tank.
- **Vitraglas® Lining**—Bradford White tanks are lined with an exclusively engineered enamel formula that provides superior tank protection from the highly corrosive effects of hot water. This formula (Vitraglas®) is fused to the steel surface by firing at a temperature of over 1600°F (871°C).
- **Non-CFC Foam Insulation**—Covers the sides and top of the tank, reducing the amount of heat loss. This results in less energy consumption, improved operation efficiencies, and jacket rigidity.
- **Water Connections**—3/4" NPT factory-installed true dielectric fittings extend water heater life and ease installation.
- **Factory-Installed Heat Traps**—Design incorporates a flexible disk that reduces heat loss in piping and eliminates the potential for noise generation. (Except for RE120L).
- **Protective Magnesium Anode Rod**—Provides added protection against corrosion for long trouble-free service.
- **Simultaneous and Non-Simultaneous Operation Available**—Simultaneous operation indicates when both elements (if equipped) are being heated at the same time. Non-Simultaneous operation indicates when one element is being heated at a time.
- **Voltages Available**—120V, 208V, 240V, 277V, 480V.
- **Single Phase or Three Phase Operation Available**—120V & 277V may only be wired for single phase operation.
- **T&P Relief Valve**—Installed, side T&P is standard. Optional top T&P location is available.
- **Design evaluated by ETL in accordance with Part 280.707(d) of HUD Mobile Home Construction and Safety Standards for Energy Efficiency.**



6 or 10-Year Limited Tank Warranties / 6 or 10-Year Limited Warranty on Component Parts.

For more information on warranty, please visit www.bradfordwhite.com

For products installed in USA, Canada and Puerto Rico. Some states do not allow limitations on warranties. See complete copy of the warranty included with the heater.

MANUFACTURED UNDER ONE OR MORE OF THE FOLLOWING U.S. PATENTS: 5,682,666; 7,634,976; 5,660,165; 5,954,492; 6,056,542; 6,935,280; 5,372,185; 5,485,879; 5,574,822; 7,971,560; 7,992,526; 6,684,821; 6,442,178; 7,334,419; 7,866,168; 7,270,087; 7,007,748; 5,596,952; 6,142,216; 7,699,026; 5,341,770; 7,337,517; 7,665,211; 7,665,210; 7,063,132; 7,063,133; 7,559,293; 7,900,589; 5,943,984; 8,082,888; 5,988,117; 7,621,238; 7,650,859; 5,761,379; 7,409,925; 5,277,171; 8,146,772; 7,458,341; 2,262,174. OTHER U.S. AND FOREIGN PATENT APPLICATIONS PENDING. CURRENT CANADIAN PATENTS: 2,314,845; 2,504,824; 2,108,186; 2,143,031; 2,409,271; 2,548,958; 2,112,515; 2,476,685; 2,239,007; 2,092,105; 2,107,012. Vitraglas® and Hydrojet® are registered trademarks of Bradford White® Corporation.

Residential Electric Water Heater

Lowboy Models

C.E.C. Listed

Model Number	Capacity		1st Hour Rating (Gal.)	Energy Factor	Recovery 90°F Rise		A Floor to Heater Top in.	B Jacket Dia. in.	C Floor to Water Conn. in.	D Floor to T&P Conn. in.	Approx. Shipping Weight lbs.
	U.S. Gal.	Imp. Gal.			U.S. GPH*	Imp. GPH*					
RE120L6†	19	16	—	—	21	18	24 7/8	18	25 5/8	19 1/8 / 24 7/8	65
RE230L6**	28	23	45	0.95	21	18	29 7/8	22	30 3/4	30 5/8 / 30 5/8	108
RE240L6**	38	32	55	0.95	21	18	32 5/8	24	33 1/2	33 5/8 / 33 5/8	140
RE250L6**	47	39	67	0.95	21	18	32 5/8	26	33 1/2	33 5/8 / 33 5/8	183

Model Number	Capacity		1st Hour Rating (Liters)	Energy Factor	Recovery 50°C Rise		A Floor to Heater Top mm.	B Jacket Dia. mm.	C Floor to Water Conn. mm.	D Floor to T&P Conn. mm.	Approx. Shipping Weight kg.
	Liters				Liters/ Hour						
RE120L6†	72		—	—	80		632	457	651	486 / 632	29
RE230L6**	106		170	0.95	80		759	559	781	778 / 778	49
RE240L6**	144		208	0.95	80		829	610	851	854 / 854	64
RE250L6**	178		254	0.95	80		829	660	851	854 / 854	83

**Models include supplied insulation blanket (2" thick). Dimensions in charts above do not include blanket thickness.

For 10 year models, change suffix "6" to "10".

* Based on 4500W/4500W, Non-Simultaneous operation.

All models feature optional top T&P location and must be specified when ordering.

† Exempt from ASHRAE 90.1b (current standard).

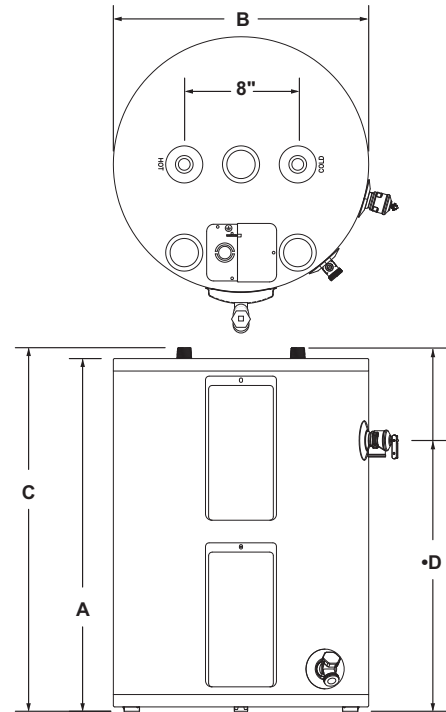
Energy Factor and First Hour Rating is based on the latest AHRI directory listings.

Wattage	Recovery ▲ GPH Temperature Rise °F				
	60	80	90	100	120
1500W	10	8	7	6	5
2000W	14	10	9	8	7
2500W	17	13	11	10	9
3000W	21	15	14	12	10
3500W	24	18	16	14	12
4000W	28	21	18	16	14
4500W	31	23	21	19	15
5000W	34	26	23	21	17
5500W	38	29	25	23	19
6000W	41	31	28	25	21

▲(GPH based on Non-Simultaneous operation, when Simultaneous operation the GPH will approximately double.)

Wattage Limitations for Simultaneous Operation	Voltage				
	120V	208V	240V	277V	480V
1500W / 1500W	yes	yes	yes	yes	yes
2000W / 2000W	no	yes	yes	yes	yes
2500W / 2500W	no	yes	yes	yes	yes
3000W / 3000W	no	yes	yes	yes	yes
3500W / 3500W	no	yes	yes	no	no
4000W / 4000W	no	yes	yes	yes	yes
4500W / 4500W	no	yes	yes	yes	yes
5000W / 5000W	no	yes	yes	yes	yes
5500W / 5500W	no	no	yes	no	no
6000W / 6000W	no	no	no	yes	yes

Wattage Limitations for Non-Simultaneous Operation	Voltage				
	120V	208V	240V	277V	480V
1500W / 1500W	yes	yes	yes	yes	yes
2000W / 2000W	yes	yes	yes	yes	yes
2500W / 2500W	yes	yes	yes	yes	yes
3000W / 3000W	yes	yes	yes	yes	yes
3500W / 3500W	no	yes	yes	no	no
4000W / 4000W	no	yes	yes	yes	yes
4500W / 4500W	no	yes	yes	yes	yes
5000W / 5000W	no	yes	yes	yes	yes
5500W / 5500W	no	yes	yes	no	no
6000W / 6000W	no	yes	yes	yes	yes



•"D" dimension listed as side/top.

General:

All models ETL listed. These heaters are wired inter-locking (Non-Simultaneous, Single Phase)

240V with two 4500W elements, unless otherwise specified.

All water and electrical connections are 3/4" NPT (19mm).

All models certified at 300 psi test pressure (2068 kPa) and 150 psi working pressure (1034 kPa.)

Dimensions and specifications subject to change without notice in accordance with our policy of continuous product improvement.



For U.S. and Canada field service, contact your professional installer or local Bradford White sales representative.

Sales 800-523-2931 • Fax 215-641-1670 / Technical Support 800-334-3393 • Fax 269-795-1089 • Warranty 800-531-2111 • Fax 269-795-1089

International: Telephone 215-641-9400 • Telefax 215-641-9750 / www.bradfordwhite.com

BRADFORD WHITE-CANADA INC. Sales / Technical Support 866-690-0961 / 905-238-0100 • Fax 905-238-0105 / www.bradfordwhite.com

Built to be the Best™

©2015, Bradford White Corporation. All rights reserved.